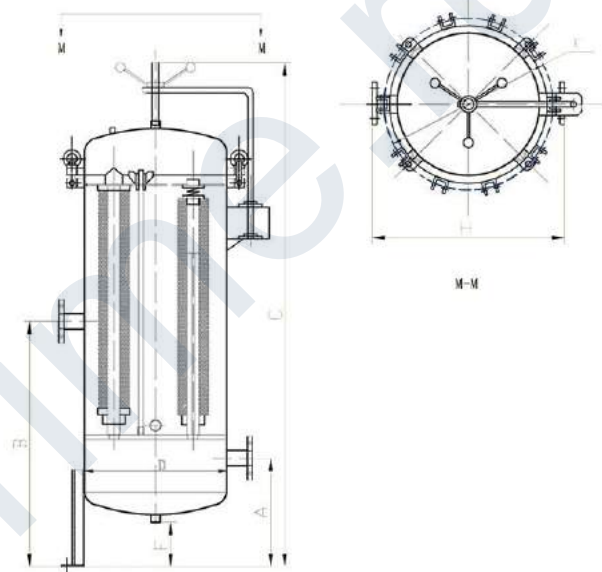


DCRD SERIES CARTRIDGE HOUSINGS

We manufacture a variety of standard design DCRD cartridge housings at pressure ratings ranging in 150PSI/10Bar etc. For special system requirements, our engineers will custom design a system to meet your needs. Materials of construction include 304, 316, 316L. The housings can accommodate from 13 to 160 cartridges around.

Unfiltered fluid enters the filter housing and is distributed evenly around the cartridges, from outside to inside. Solids are collected on the outside for easy removal. The filtered fluid then exits through the outlet pipe.



Features

1. Low pressure drops
2. Cover: Swing bolt closures
3. Accommodates 30 or 40-inch cartridges
4. Easy to clean
5. O-ring: Buna N, EP, VITON, TEFLON etc
6. Duplex units are available
7. Pipe sizes 1.5 through 10 inches, NPT or Flanged
8. Connection standard include DIN, JIS, ANSI etc..
9. 1/4 to 1" pressure gauge / vent tap
10. Polished or Blasted finish

How To Order

Example

21- DCRD-30-2-N-B-150-B-SO-DOE

21-The Number of Cartridges in Vessel
 DCRD-DCRD Series Cartridge Vessels
 30- Length 30- 30inch 40- 40inch
 2-Inlet & Outlet Nominal Pipe Size
 F- Flange N-NPT B-BSP SC-Sanitary Connection
 B-304 Stainless Steel; C-316 Stainless Steel;
 D- 316 L Stainless Steel

DOE- Cartridge Design
 DOE- Double- Open End;
 222- Double O- Ring;
 SO- Side In/Bottom Out;
 SS-Side In/SideOut;
 Cover Seal B- Buna; NE- Neoprene;
 EP-Ethylene Propylene; V-Viton;
 T- Teflon; O- Others
 150PSI - Pressure Rating 150PSI/10Bar

DCRD SERIES CARTRIDGE HOUSINGS

Model / Number of Cartridge	Length of Cartridge	A (mm/inch)	B (mm/inch)	C (mm/inch)	D (mm/inch)	F (mm/inch)	E (mm/inch)	H (mm/inch)	Inlet / Outlet	Drain Ports	
DCRD 13-15	30"	370/14.6	801/31.5	1579/62	φ350/13.7	200/7.8	φ460/18	491/19.3	1.5" 2"	1/2"	
	40"	370/14.6	901/35.4	1829/72	φ350/13.7	200/7.8	φ460/18	491/19.3	1.5" 2"	1/2"	
DCRD 16-20	30"	390/15.4	901/35.4	1629/64	φ400/15.7	200/7.8	φ530/20.8	561/22	2" 3"	3/4"	
	40"	390/15.4	1001/39.4	1879/73.9	φ400/15.7	200/7.8	φ530/20.8	561/22	2" 3"	3/4"	
DCRD 21-27	30"	460/18.1	901/35.4	1679/66.1	φ450/17.7	250/9.8	φ600/23.6	611/24	2" 4"	3/4"	
	40"	460/18.1	1101/43.3	1929/75.9	φ450/17.7	250/9.8	φ600/23.6	611/24	2" 4"	3/4"	
DCRD 28-30	30"	480/18.9	901/35.4	1739/68.5	φ500/19.7	250/9.8	φ650/25.6	661/26	2" 4"	1"	
	40"	480/18.9	1101/43.3	1989/78.3	φ500/19.7	250/9.8	φ650/25.6	661/26	2" 4"	1"	
DCRD 31-36	30"	500/19.7	901/35.4	1779/70	φ550/21.7	250/9.8	φ720/28.3	711/28	2.5" 4"	1"	
	40"	500/19.7	1101/43.3	2029/79.9	φ550/21.7	250/9.8	φ720/28.3	711/28	2.5" 4"	1"	
DCRD 37-40	30"	560/22	1001/39.4	1849/72.8	φ600/23.6	300/11.8	φ770/30.3	761/30	2.5" 4"	1"	
	40"	560/22	1201/47.3	2099/82.6	φ600/23.6	300/11.8	φ770/30.3	761/30	2.5" 4"	1"	
DCRD 41-50	30"	580/22.8	1001/39.4	1879/74	φ650/25.6	300/11.8	φ820/32.3	811/32	3" 4"	1"	
	40"	580/22.8	1201/47.3	2129/83.8	φ650/25.6	300/11.8	φ820/32.3	811/32	3" 4"	1"	
DCRD 51-60	30"	590/23.2	1001/39.4	1899/74.8	φ700/27.6	300/11.8	φ910/35.8	881/34.6	3" 5"	1"	
	40"	590/23.2	1201/47.3	2149/84.6	φ700/27.6	300/11.8	φ910/35.8	881/34.6	3" 5"	1"	
DCRD 61-75	30"	610/24	1001/39.4	1949/76.7	φ750/29.5	300/11.8	φ960/37.8	951/37.4	3" 5"	1.5"	
	40"	610/24	1251/49.2	2199/86.6	φ750/29.5	300/11.8	φ960/37.8	951/37.4	3" 5"	1.5"	
DCRD 76-85	30"	620/24.4	1101/43.3	1969/77.5	φ800/31.5	300/11.8	φ1010/39.8	1001/39.4	4" 6"	1.5"	
	40"	620/24.4	1251/49.2	2219/87.4	φ800/31.5	300/11.8	φ1010/39.8	1001/39.4	4" 6"	1.5"	
DCRD 86-100	30"	670/26.4	1101/43.3	2069/81.5	φ900/35.4	300/11.8	φ1130/44.5	1141/44.9	4" 6"	1.5"	
	40"	670/26.4	1351/53	2319/91.3	φ900/35.4	300/11.8	φ1130/44.5	1141/44.9	4" 6"	1.5"	
DCRD 101-120	30"	750/29.5	1201/47.2	2169/85.4	φ1000/39.3	350/13.8	φ1230/48.4	1241/48.8	4" 6"	1.5"	
	40"	750/29.5	1401/55.1	2419/95.2	φ1000/39.3	350/13.8	φ1230/48.4	1241/48.8	4" 6"	1.5"	
DCRD 121-140	30"	830/32.7	1301/51.2	2349/92.5	φ1100/43.3	350/13.8	φ1350/53.1	1401/55.1	4" 6"	2"	
	40"	830/32.7	1501/59	2599/102	φ1100/43.3	350/13.8	φ1350/53.1	1401/55.1	4" 6"	2"	
DCRD 141-160	30"	860/33.8	1301/51.2	2399/94.4	φ1200/47.2	350/13.8	φ1450/57	1501/59	6" 10"	2"	
	40"	860/33.8	1501/59	2649/104	φ1200/47.2	350/13.8	φ1450/57	1501/59	6" 10"	2"	
Max Pressure	150PSI/10Bar	Max Temperaturure		148°C/248°F	Material	304	B	316	C	316L	D